



REPLY TO
ATTENTION OF

DEPARTMENT OF THE ARMY
THE INSTITUTE OF HERALDRY
9325 GUNSTON ROAD, ROOM S112
FORT BELVOIR, VIRGINIA 22060-5579

20 DEC 2003

AAHS-IHS (840-10a)

MEMORANDUM FOR Commander, US Army JFK Special Warfare Center and School,
Special Forces Warrant Officer Institute, ATTN: Commandant (CW5 Austin), Building
D3004, Ardennes Street, Fort Bragg, NC 28310

SUBJECT: Beret Flash and Background Trimming for the Special Forces Warrant
Officer Institute

1. In accordance with the provisions of AR-670-1, a beret flash and background trimming are authorized for wear by members of the Special Forces Warrant Officer Institute.
2. The descriptions of the designs are as follows:

BERET FLASH

A brown shield-shaped embroidered item with a semi-circular base 2 1/4 inches (5.72 cm) in height and 1 7/8 inches (4.76 cm) in width overall, divided diagonally with three 1/8 inch (.32 cm) stripes from upper left to lower right, black over white over silver gray; all within a 1/8 inch (.32 cm) golden yellow border.

BACKGROUND TRIMMING

A brown oval-shaped embroidered item 1 3/8 inches (3.49 cm) in height and 2 1/4 inches (5.72 cm) in width overall, divided diagonally with three 1/8 inch (.32 cm) stripes from upper left to lower right, black over white over silver gray; all within a 1/8 inch (.32 cm) golden yellow border.

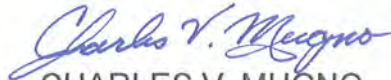
CABLE NUMBERS OF COLORS

Black	#67138
Golden Yellow	#67104
White	#67101
Brown	#67136
Silver Gray	#67137

AAHS-IHS (840-10a)

SUBJECT: Beret Flash and Background Trimming for the Special Forces Warrant Officer Institute

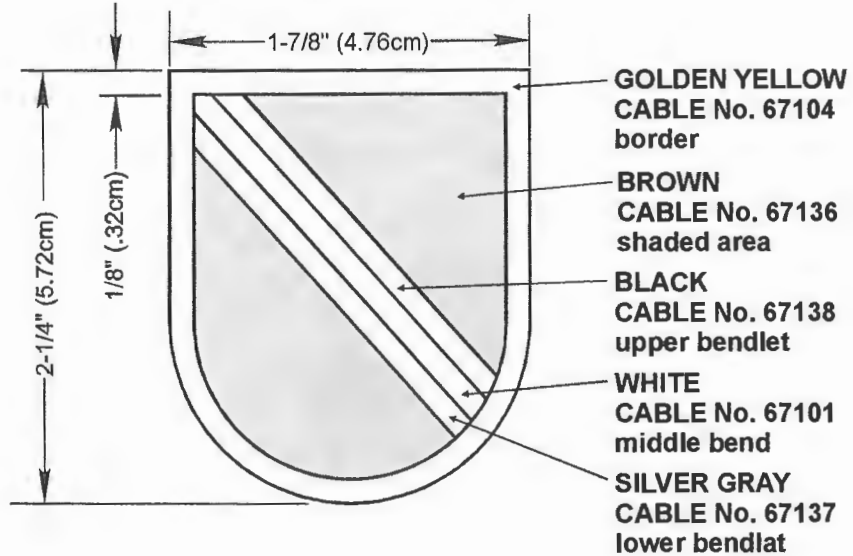
3. This authorization does not grant exclusive use of the above colors and pattern design for the Special Forces Warrant Officer Institute.


CHARLES V. MUGNO
Director

CF: CMH

REVISIONS

LTR	DESCRIPTION	DATE	APPROVED
-----	-------------	------	----------



DESIGNED FOR OVEREDGE STITCHING

UNLESS OTHERWISE SPECIFIED DIMENSIONS ARE IN INCHES TOLERANCES ON FRACTIONS DECIMALS ANGLES

MATERIALS:
TO BE MANUFACTURED IN ACCORDANCE WITH MIL-DTL-14652

EXAMINED	<i>SAC</i>	
CHECKED	<i>ym</i>	
PREPARED	CLH	

APPROVED
Charles V. Mugno
CHARLES V. MUGNO
DIRECTOR

THE INSTITUTE OF HERALDRY, DEPARTMENT OF THE ARMY
9325 GUNSTON RD, RM S-113 FORT BELVOIR, VA 22060-5579

BERET FLASH FOR
SPECIAL FORCES WARRANT OFFICER INSTITUTE

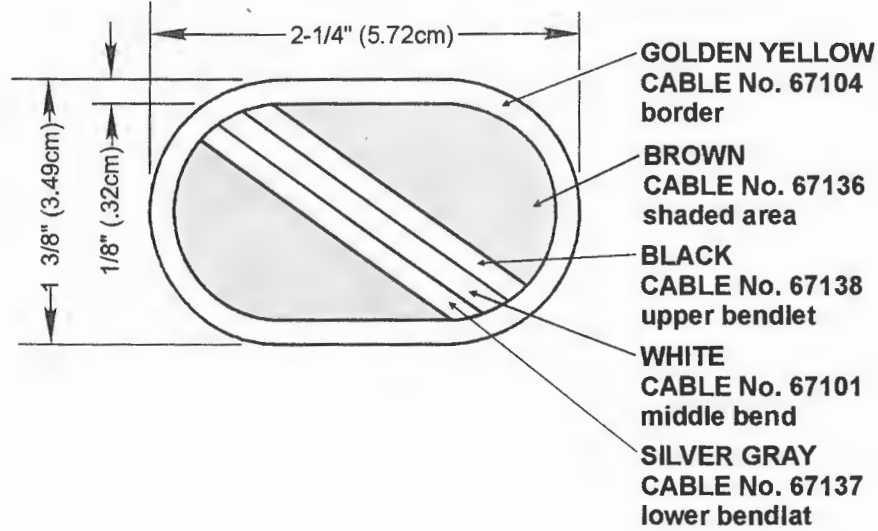
SIZE CONTROL IDENT. NO
A 22571

A-4-290

SCALE FULL DATE **19 DECEMBER 2013**

REVISIONS

LTR	DESCRIPTION	DATE	APPROVED
-----	-------------	------	----------



DESIGNED FOR OVEREDGE STITCHING

UNLESS OTHERWISE SPECIFIED DIMENSIONS ARE IN INCHES TOLERANCES ON FRACTIONS DECIMALS ANGLES

MATERIALS:
TO BE MANUFACTURED IN ACCORDANCE WITH MIL-DTL-14652

EXAMINED	<i>CLH</i>
CHECKED	<i>CLH</i>
PREPARED	CLH
APPROVED	<i>Charles V. Mugno</i> CHARLES V. MUGNO DIRECTOR

THE INSTITUTE OF HERALDRY, DEPARTMENT OF THE ARMY
9325 GUNSTON RD, RM S-113 FORT BELVOIR, VA 22060-5579

BACKGROUND TRIMMING FOR
SPECIAL FORCES WARRANT OFFICER INSTITUTE

SIZE	CONTROL IDENT. NO	
A	22571	A-6-315
SCALE	FULL	DATE 19 DECEMBER 2013

